

BCIC

Bus Connection Insulating Covers

Designed to protect energized conductors or busbar from flashovers due to contact from birds, squirrels and other wildlife. BCIC parts are made from a UV stable, track resistant, high performance Tyco Electronics material to ensure years of reliable service.

A variety of different shapes and sizes are available to cover circuit breaker bushings, bus standoff insulators,

capacitors, transformer bushings, voltage regulators, potential transformers and more.

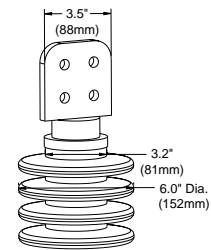
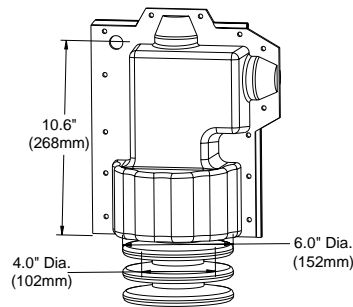
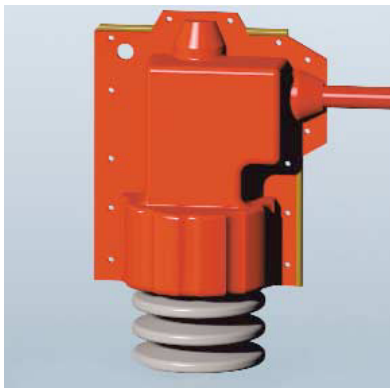
Installation can be made quickly in the field by trimming the entry and exit holes to the required dimensions. The BCIC covers can be reentered for other maintenance needs and then reused, thus lowering overall life-time costs.

134 Selection information (dimensions in inches/millimeters)

Bushing covers

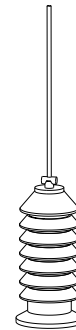
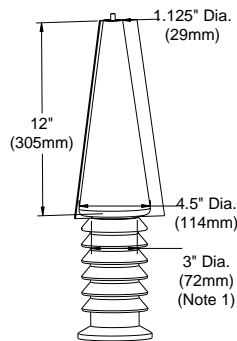
Installed product

Hardware configuration



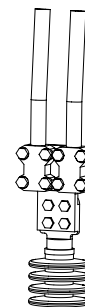
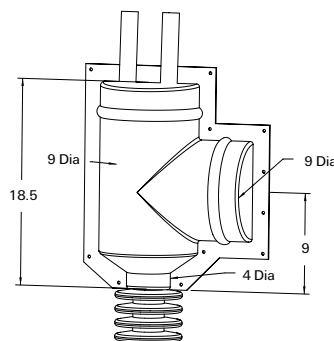
BCIC-4411 Note: 4" (100mm) bottom port opening

uses 13 BCIC latches



BCIC-SG-101-H2 Note: Bottom and Top Opening

uses 5 BCIC latches



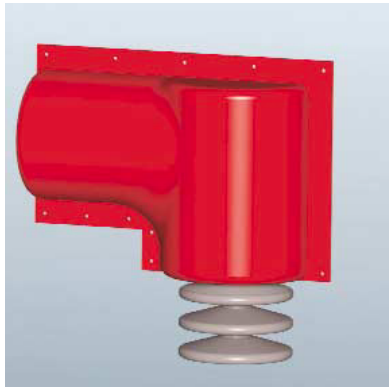
BCIC-9D/19-3

uses 11 BCIC latches

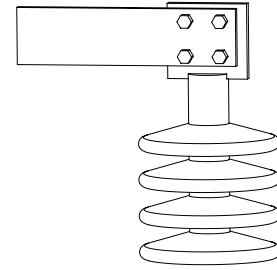
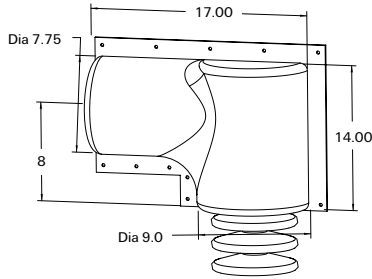
Bushing covers

Installed product

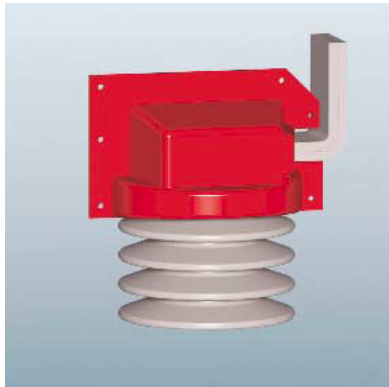
Hardware configuration



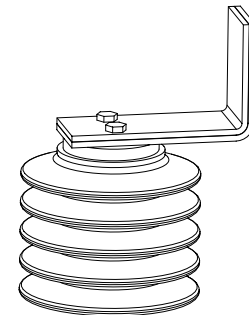
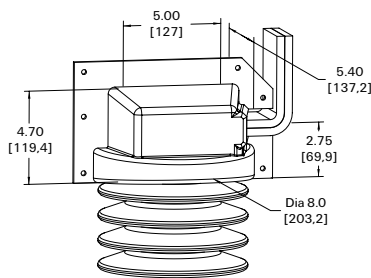
BCIC-10D/18-3



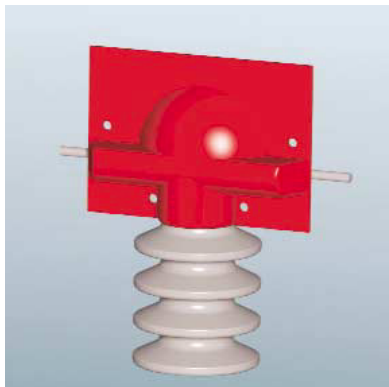
uses 11 BCIC latches



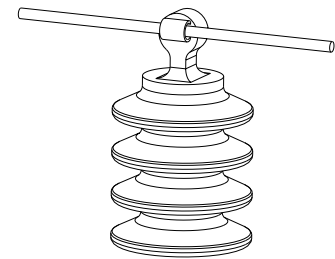
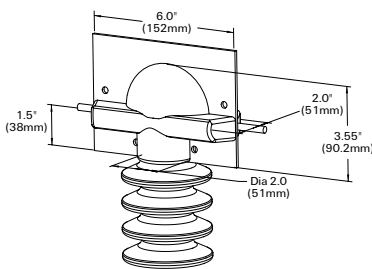
BCIC-8D/6-3



uses 6 BCIC latches



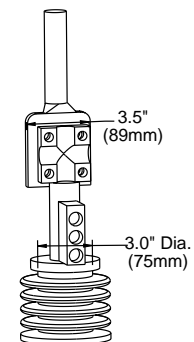
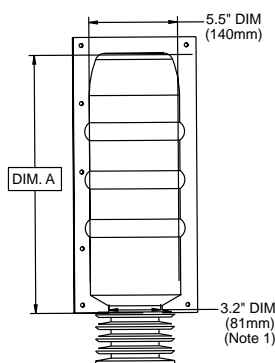
BCIC-3D/6-3



uses 4 BCIC latches



BCIC-5.5D/16-H1
 BCIC-5.5D/16-H0



Note: 3.2" (81mm) bottom port opening
 Note: No opening

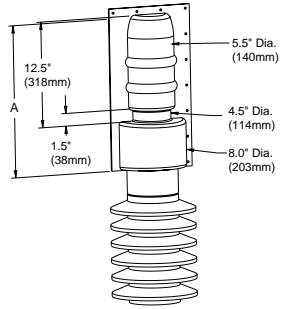
Dim. A: 17.1" (434mm)
 Dim. A: 17.6" (447mm)

Uses 7 BCIC Latches

Bushing covers

Installed product

Hardware configuration

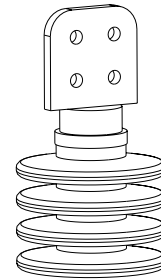
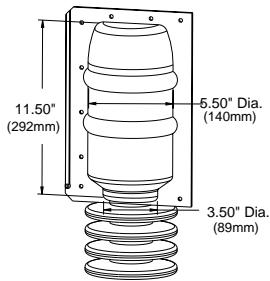


BCIC-8D/15H0
BCIC-8D/18-H0

Dia. A = 16.2" (411)
Dia. A = 19.2" (488)

uses 10 BCIC latches

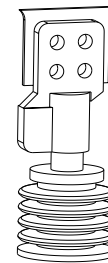
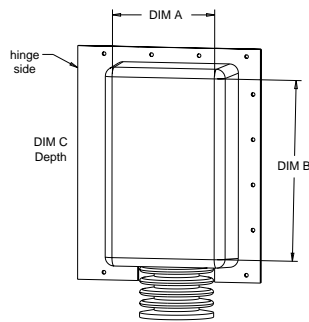
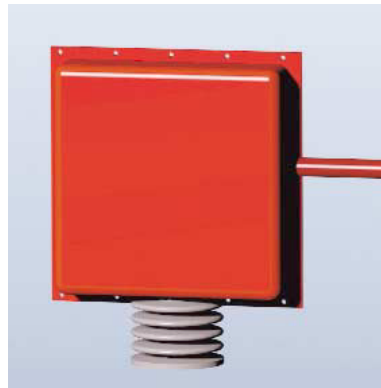
136



BCIC-5.5D/11

Bushing range Dia. 2-3.5 in. Note: No opening

uses 9 BCIC latches



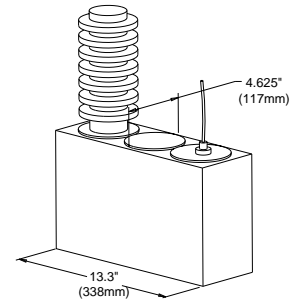
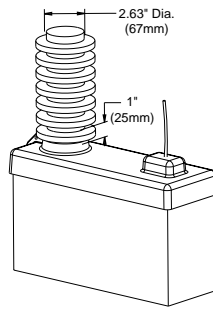
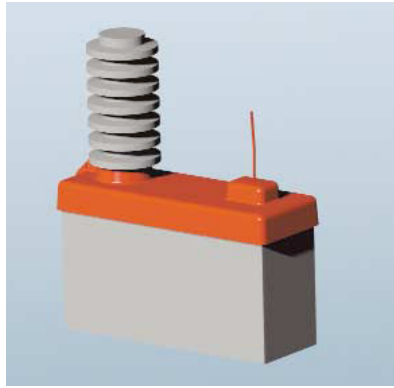
	Dim A	Dim B	Dim C	
BCIC-12/12/5-H	12 (305)	12 (305)	5 (127)	uses 12 BCIC latches
BCIC-14/19/6-U	14 (356)	19 (483)	6 (152)	uses 16 BCIC latches
BCIC-24/11/12-U	11 (279)	24 (610)	12 (304)	uses 16 BCIC latches
BCIC-4/12/4-H	4 (102)	12 (305)	4 (102)	uses 12 BCIC latches
BCIC-7/12/7-H	7 (178)	12 (305)	7 (178)	uses 12 BCIC latches
BCIC-4/16/4-H	4 (102)	16 (406)	4 (102)	uses 12 BCIC latches

Note: Must be field cut.

Capacitor covers

Installed product

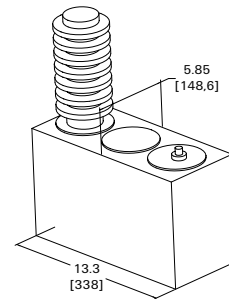
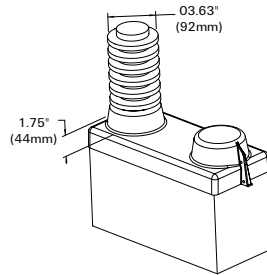
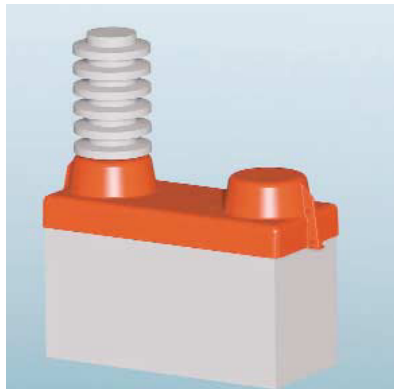
Hardware configuration



BCIC-0270

Note: Single bushing capacitor cover

uses 2 BCIC latches



BCIC-0370

Note: Single bushing capacitor cover

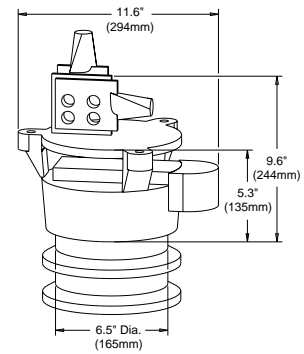
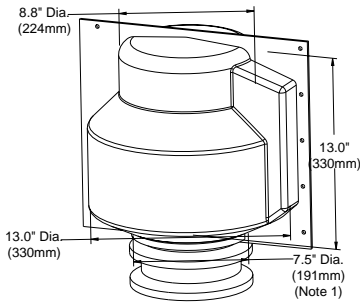
uses 2 BCIC latches

Bus insulation and wildlife protection products

Lightning arrester covers

Installed product

Hardware configuration

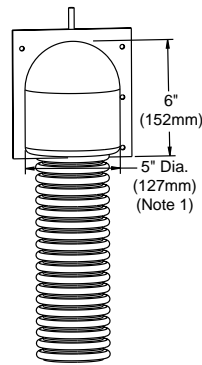


BCIC-13D/13-HO

Note: No opening - must be field cut

Uses 10 BCIC Latches

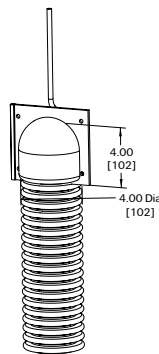
138



BCIC-5D/6

Note: No opening - must be field cut

Uses 5 BCIC Latches



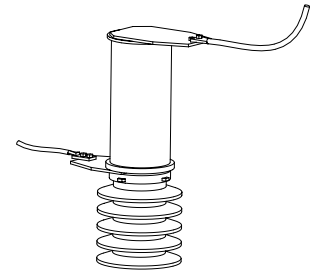
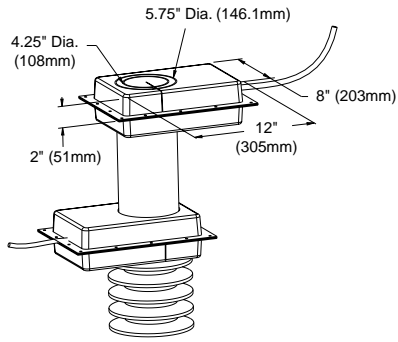
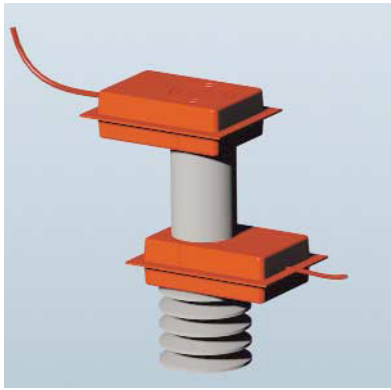
BCIC-4D/4

Uses 5 BCIC latches

Distribution covers

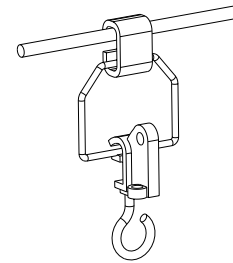
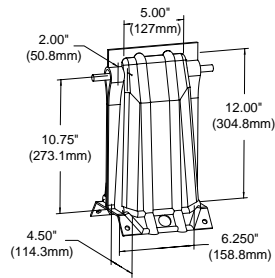
Installed product

Hardware configuration

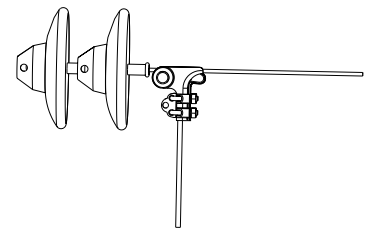
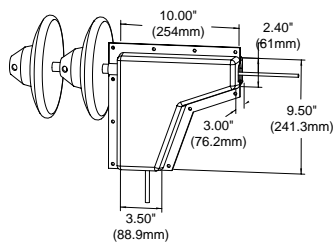


BCIC-8/12/2

Note: Field trimmed part

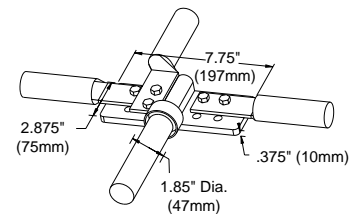
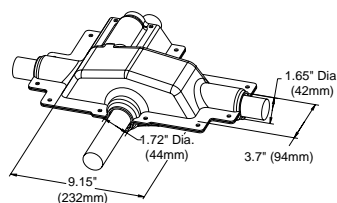


BCIC-HLC-01



BCIC-9/10/3-L

Uses 10 BCIC latches



BCIC-ABC 9/3/4

Note: Four openings

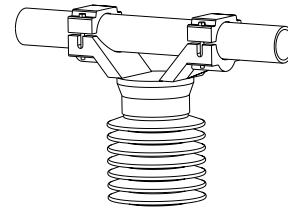
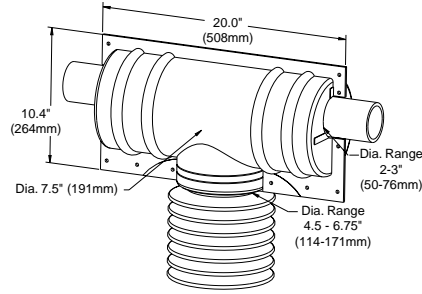
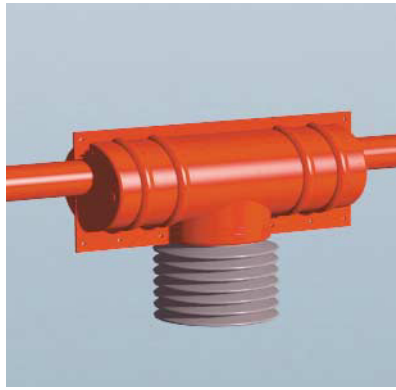
Uses 13 BCIC latches

Bus insulation and wildlife protection products

Insulator/bus bar covers

Installed product

Hardware configuration



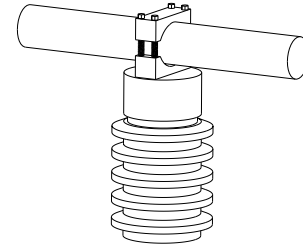
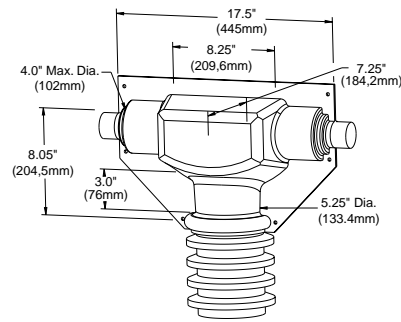
BCIC-7.5D/18-3

Bus Bar Dia. 2-3" (50-75mm)

Angle bus double 3" (75mm)

Uses 8 BCIC latches

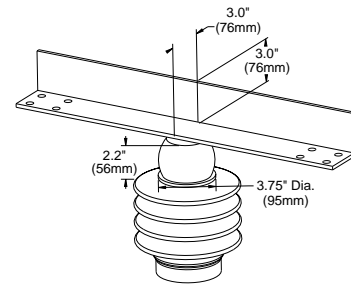
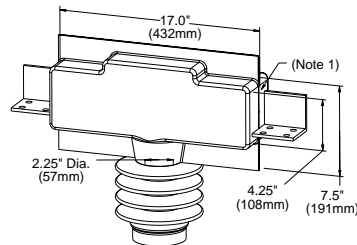
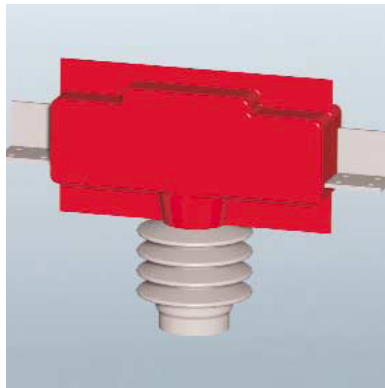
140



BCIC-SG-201

Max. Bus Bar Dia. 4" (100mm)

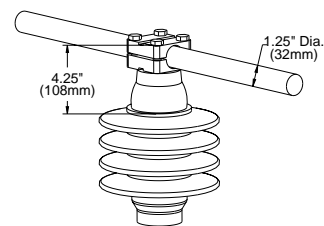
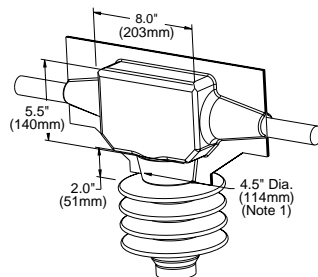
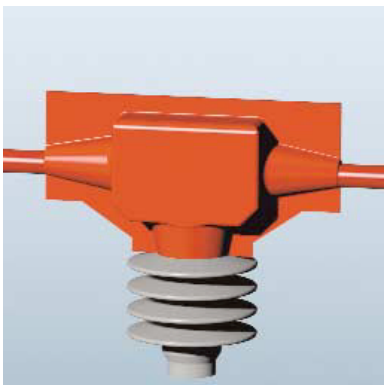
Uses 10 BCIC latches



BCIC-TR205-L

Note: No opening - must be field cut

Uses 10 BCIC latches



BCIC-TR205-R

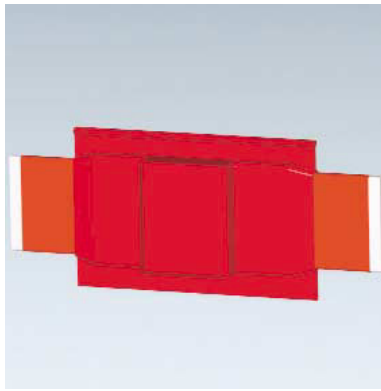
Note: 4.5 (114) Dia. bottom port opening

Uses 10 BCIC latches

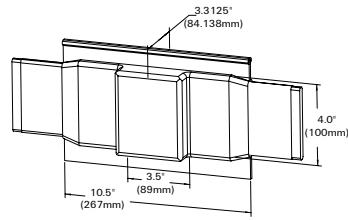
Switchgear bus connection covers

Installed product

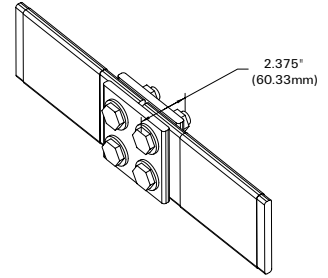
Hardware configuration



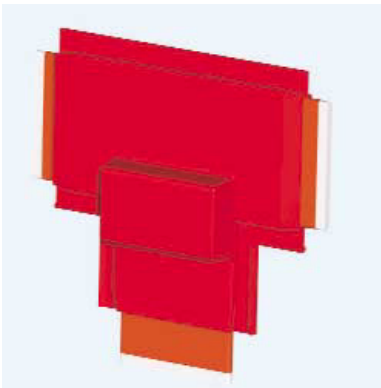
BCIC-100/4-1-ST



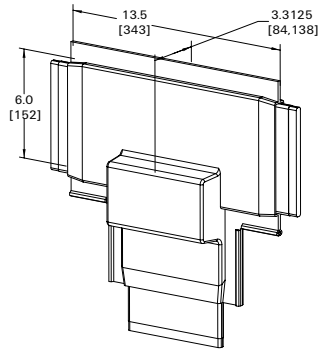
BUS Bar Size 4" x .50"



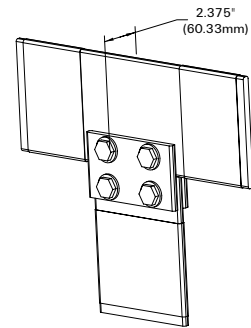
Uses BCIC closure in kit



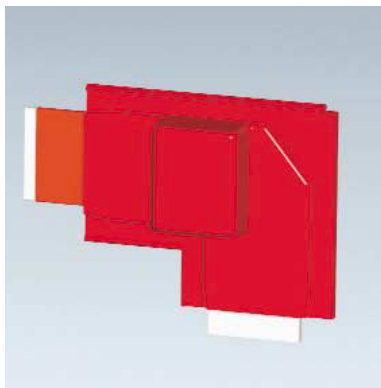
BCIC-150/6-1-ST



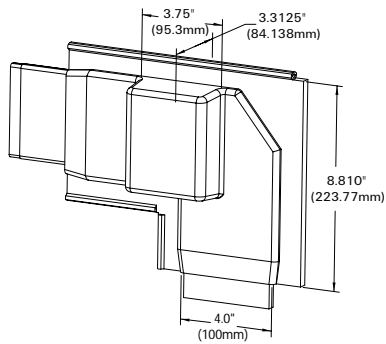
BUS Bar Size 6" x .50"



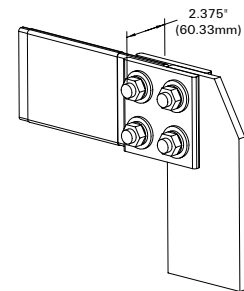
Uses BCIC closure in kit



BCIC-100/4-L



BUS Bar Size 4" x .50"

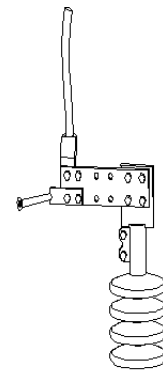
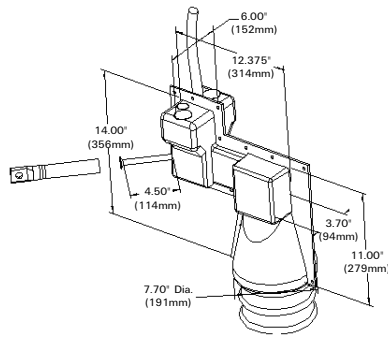


Uses BCIC closure in kit

Miscellaneous covers

Installed product

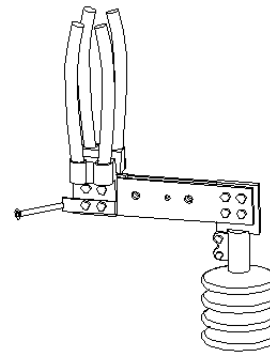
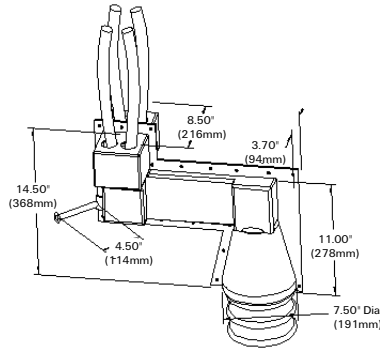
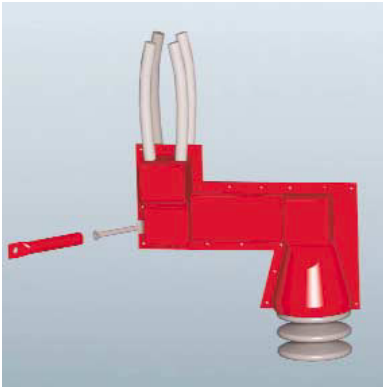
Hardware configuration



BCIC-7.5D/11-DB

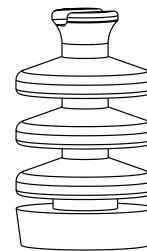
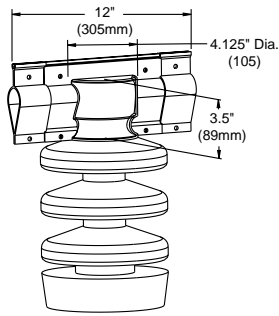
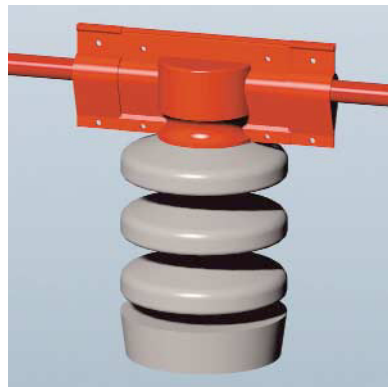
Uses 15 BCIC latches

142



BCIC-7.5D/17-DB

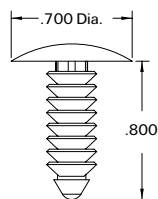
Uses 19 BCIC latches



BCIC-3212-01

Note: Bottom port has opening

Uses 8 BCIC Latches



BCIC-LATCH

Std. Pack = 250 latches or 1000 latches